

Product Information

Temperature probes

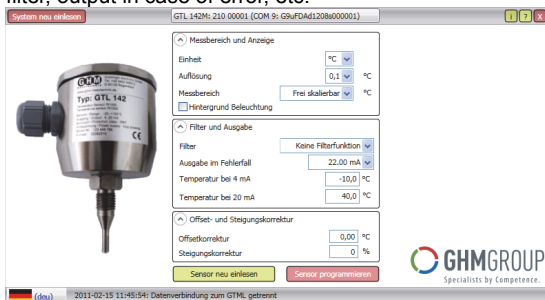
Accessories

GTL - Configuration tool

Suitable for all GTL with integrated transmitter

The programming tool contains:

- **Software GTL - Configurator**
 Setting of unit, resolution, measuring range, filter, output in case of error, etc.



- **GTL - Configuration adapter**
- **Connection cable with M12-plug**
- **Connection cable with loose ends**
- **Connection cable with alligator clips**
- **GKK 252 case**
 with burl foams size: 235 x 185 x 48 mm (W x H x D)
- **Manual**



Device Configurator ECI-1



- **Can be used on site for:**
 - parameter modification
 - firmware update
 - adjustment of inputs and outputs
- **Can be connected via USB**

Characteristics

The device configurator ECI-1 is an interface which allows the connection of microcontroller-managed HONSBURG sensors to the USB port of a computer.

Together with the Windows software "HONSBURG Device Configurator" it enables

- the modification of all the sensor's configuration settings
- the reading of measured values
- the adjustment of inputs and outputs
- firmware updates

Technical data

Supply voltage	12..30 V DC (depending on the connected sensor) and via USB
Power consumption	< 1 W
Connection	
Sensor	cable bushing M12x1, 5-pole, straight length approx. 50 cm
Lead	device connector M12x1, 5-pole
USB	USB bushing type B
Operating temperature	0..50 °C
Storage temperature	-20..+80 °C
Dimensions of housing	98 mm (L) x 64 mm (W) x 38 mm (H)
Housing material	ABS
Ingress protection	IP 40

continued on next page

Handling and operation

Connection

Product Information

Temperature probes



The device configurator is intended for temporary connection to the application. It is connected between the existing sensor lead and the sensor. Power supply is via the supply to the sensor and the computer's USB port. When inactive (no communication), the configurator behaves completely neutrally; all signals from the sensor remain available to the application. During communication between computer and sensor, the signal wirings are separated in the configurator, so that in this state the sensor's output signals are not available.

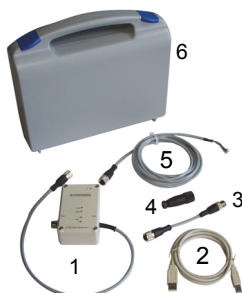
To connect 4-pole leads without a middle hole to the installed 5-pole device connector, adapter K04-05 is included. 4-pole leads with a middle hole can be used without an adapter.

Ordering code

Device configurator (for scope of delivery, see the diagram below)	ECI-1
--	--------------

Scope of delivery

1. Device configurator ECI-1
2. USB cable
3. Adapter K04-05
4. Plug KB05G
5. Cable K05PU-02SG
6. Carrying case



Incl. software

Accessories:

Mains connector 24 V DC (with fitted round plug connector, 5-pole, incl. international plug set)	EPWR24-1
--	-----------------



Replacement parts:

M12x1 adapter 4- / 5-pole	K04-05
PUR cable, 5-pole, shielded with round plug connector M12x1	K05PU-02SG
Round plug connector M12x1, 5-pole (without cable)	KB05G

Welding sleeve for GTL

GKEV-25/76

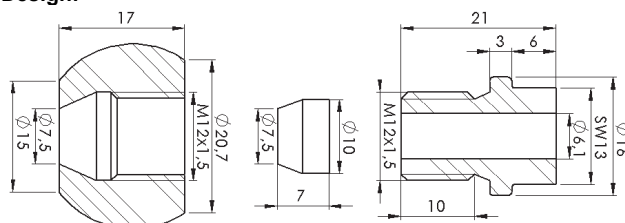
Spherical welding sleeve for inclined mounting consisting of welding sleeve, PEEK clamping ring and clamping screw.



Specifications:

Material	: V4A (1.4404)
Type of installation	: PEEK clamping ring, thread M12x1.5
Clamping torque	: max. 10 Nm
Working pressure	: max. 10 bar
Application	: for mounting of temperature probes of series: GTL 349, GTL 369 / M, GTL 389 / M

Design:



Spare parts:

Clamping screw KS-M12
 PEEK clamping ring PKR-6



GEMK-25/76

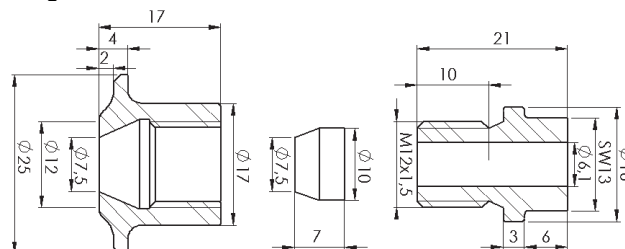
Collar welding sleeve for tanks thick / thin consisting of welding sleeve, PEEK clamping ring and clamping screw.



Specifications

Material	: V4A (1.4404)
Type of installation	: PEEK clamping ring, thread M12x1.5
Clamping torque	: max. 10 Nm
Working pressure	: max. 10 bar
Application	: for mounting of temperature probes of series: GTL 349, GTL 369 / M, GTL 389 / M

Design:



Spare parts:

Clamping screw KS-M12
 PEEK clamping ring PKR-6

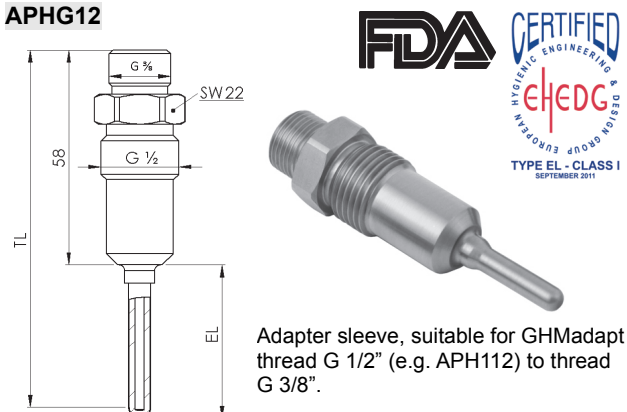


Product Information

Temperature probes

Thermowells for GTL

APHG12



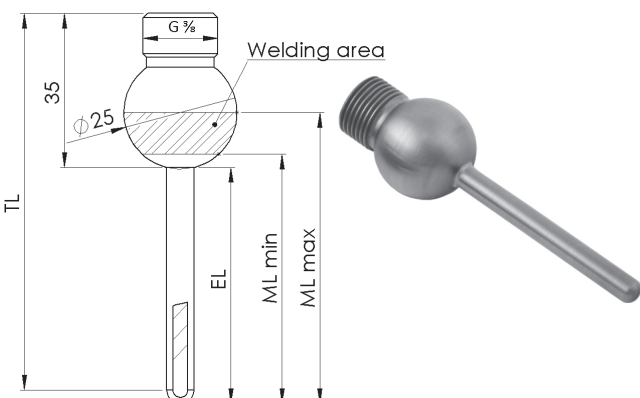
Product key

1. 2. 3. 4.

APHG12 - - - -

1. Immersion length TL		
083	TL = 83 mm	fitting length EL = 27 mm
097	TL = 97 mm	fitting length EL = 41 mm
160	TL = 160 mm	fitting length EL = 104 mm
xxx	any immersion length in mm; min.: 160 mm, max.: 500 mm (e.g. 320 = 320 mm)	
2. Options		
00	without option	
3. Certificate DIN EN 10204 (indicate only when required)		
APZMAT	acceptance test certificate 3.1 for material (in contact with products)	
4. Surface roughness, only in contact with products. Indicate only when required.		
RA08	R _a < 0,8 µm (with acceptance test certificate 3.1 incl. Measurement report)	

APHK25



Ball weld-in sleeve to thread G 3/8", for mounting in pipe bends or tanks.

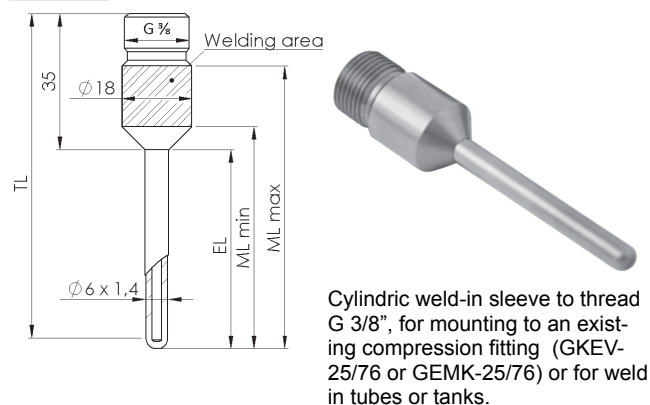
Product key

1. 2. 3. 4.

APHK25 - - - -

1. Immersion length TL		
083	TL = 83 mm	fitting length EL = 50 mm installation length ML: 56..63 mm
160	TL = 160 mm	fitting length EL = 127 mm inst. length ML: 133..140 mm
xxx	any immersion length in mm; min.: 160 mm, max.: 500 mm (e.g. 320 = 320 mm)	
2. Options		
00	without option	
3. Certificate DIN EN 10204 (indicate only when required)		
APZMAT	acceptance test certificate 3.1 for material (in contact with products)	
4. Surface roughness, only in contact with products. Indicate only when required.		
RA08	R _a < 0,8 µm (with acceptance test certificate 3.1 incl. Measurement report)	

APHZ18



Product key

1. 2. 3. 4.

APHZ18 - - - -

1. Immersion length TL		
083	TL = 83 mm	fitting length EL = 50 mm installation length ML: 56..71 mm
160	TL = 160 mm	fitting length EL = 127 mm inst. length ML: 133..148 mm
xxx	any immersion length in mm; min.: 160 mm, max.: 500 mm (e.g. 320 = 320 mm)	
2. Options		
00	without option	
3. Certificate DIN EN 10204 (indicate only when required)		
APZMAT	acceptance test certificate 3.1 for material (in contact with products)	
4. Surface roughness, only in contact with products. Indicate only when required.		
RA08	R _a < 0,8 µm (with acceptance test certificate 3.1 incl. Measurement report)	

Product Information

Thermal compound

WLP10S

- Syringe containing 3 ml silicone + pipette, color silver-gray
- high thermal conductivity of 10.0 W/mK
- not drying out, silicone parts not fleeing
- Storage time up to 12 months at normal ambient conditions

Product Information

Temperature probes

Hygienic Connection Cable Shielded Series KH



- Connection M12x1
- PVC cable flexcord grey shielded
- Straight or angled model
- 4- or 5-pole, cable end made up with end sleeves for wires
- Union nut made from V4A
- IP67 as per IEC 60529
- IP 69K protected against water during high pressure and steam jet cleaning as per IEC 60529
- Resistant to heat and cold, range of use -25..+70 °C
- Vibration protection
- Colour coding as per industry standards

Characteristics

The connection cable is suitable for moderate mechanical stress. Good resistance to acids and alkalis. Therefore aimed mainly at food and drink industries. Restricted abrasion behaviour, and limited oil and chemical resistance. The shielding increases the shear strength, and also improves the protection from external radiation interference.

Technical data

Connector	connection M12x1
Grip body	plastic, PVC
Union nut	stainless steel 1.4404
Contact block / Cable	grey plastic PVC
Contacts	metal, CuZn, gold-plated
Seal	plastic, FPM, FKM
Current carrying capacity	4 A
Rated voltage	max. 250 V
Insulation resistance	≥ 10 ⁹ MΩ
Degree of contamination	3/2, as per DIN VDE 0110
Ambient temperature	-25..+70 °C
Ingress protection	IP 67 / IP 69K (only when screwed together)
Mechanical working life	min. 100 mating cycles

Cable colours:

1 = brown, 2 = white, 3 = blue, 4 = black, 5 = grey

Ordering code

KH - -

1. Cable material	PV	PVC
2. Cable length	002	2 metres
	005	5 metres
	010	10 metres
3. Shielding	1	shielding (not applied to union nut)
4. Number of poles	04	4-pole
	05	5-pole
5. Connector output	G	straight
	W	angled 90 °